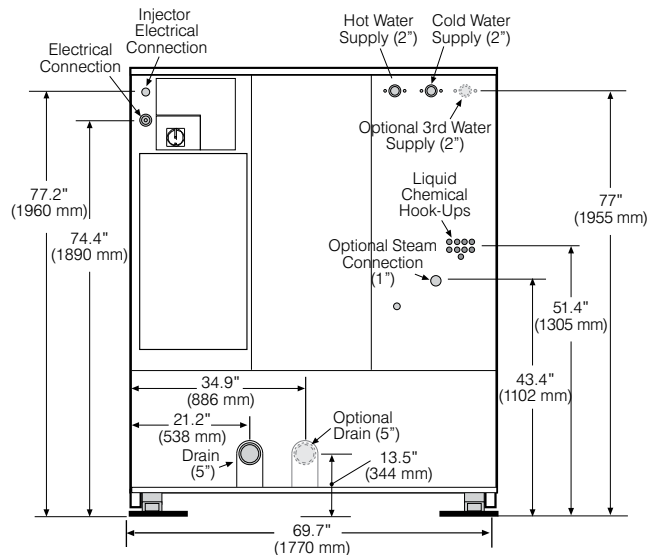
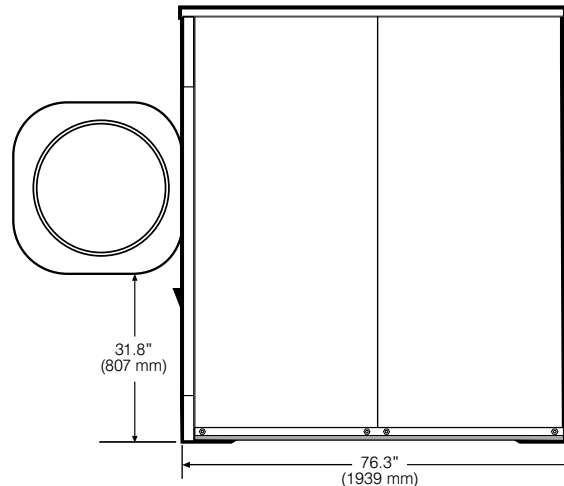
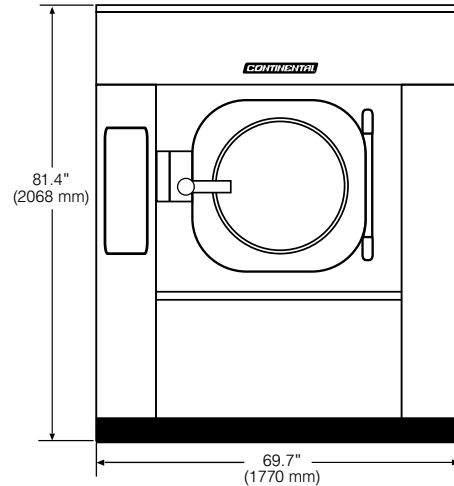


EH255 stationary

ON-PREMISE LAUNDRY E-SERIES 255-POUND CAPACITY
HIGH-PERFORMANCE WASHER-EXTRACTOR

Capacity <i>lbs (kg)</i>	255 (110)
Cylinder Diameter <i>inch (mm)</i>	51.6 (1310)
Cylinder Depth <i>inch (mm)</i>	32.1 (816)
Cylinder Volume <i>cu ft (dm³)</i>	38.8 (1100)
Net Weight <i>lbs (kg)</i>	8566 (3885)
Crated Weight <i>lbs (kg)</i>	9056 (4108)
Machine Width <i>inch (mm)</i>	69.7 (1770)
Machine Depth <i>inch (mm)</i>	76.3 (1939)
Machine Height <i>inch (mm)</i>	81.4 (2068)
Door Opening <i>inch (mm)</i>	26.9 (684)
Floor to Door <i>inch (mm)</i>	31.8 (807)
Shipping Dimensions <i>inch (mm)</i> (WxDxH)	76.8 x 83.5 x 88.4 (1950 x 2120 x 2245)
Washing Speeds <i>rpm</i>	17/22/27/32
Spin Speeds <i>rpm</i>	32/66/250/405/565/725
G-force	0.75/3.2/46/120/234/386
Static Force Transmitted <i>lbs (kg)</i>	10703 (4855)
Dynamic Force Transmitted <i>lbs (kg)</i>	1482 (672)
Frequency of Dynamic Force <i>Hz</i>	12.1
Available Voltages/Wire Conductor/Amp	
Hot Water (standard)	208-240/60/3, 3W + G, 40 Amp
Hot Water (standard)	440-480/60/3, 3W + G, 20 Amp
Steam Auxiliary Heat (optional)	208-240/60/3, 3W + G, 40 Amp
Steam Auxiliary Heat (optional)	440-480/60/3, 3W + G, 20 Amp
Drain Diameter <i>inch (mm)</i>	5 (125)
Water Inlets <i>inch (mm)</i>	2 (51)
Recommended Water Pressure <i>PSI (bar)</i>	30-60 (2-4)
Water Flow <i>gal/min (l/min)</i>	58 (220)
Steam Connection (optional) <i>inch (mm)</i>	1 (25.4)
Steam Pressure (optional) <i>PSI (bar)</i>	29-87 (2-6)
Steam Flow (optional) <i>lbs/h (kg/h)</i>	794 (360)
Motor Power <i>kW</i>	11
Compressed Air Connection <i>inch</i>	3/8
Compressed Air Pressure <i>PSI (bar)</i>	87-100 (6-7)
Compressed Air Flow <i>gal/min (l/min)</i>	53 (200)



* Specifications subject to change without notice or obligation. Call Continental Girbau, Inc for dimensions not shown or for clarification.