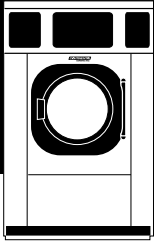




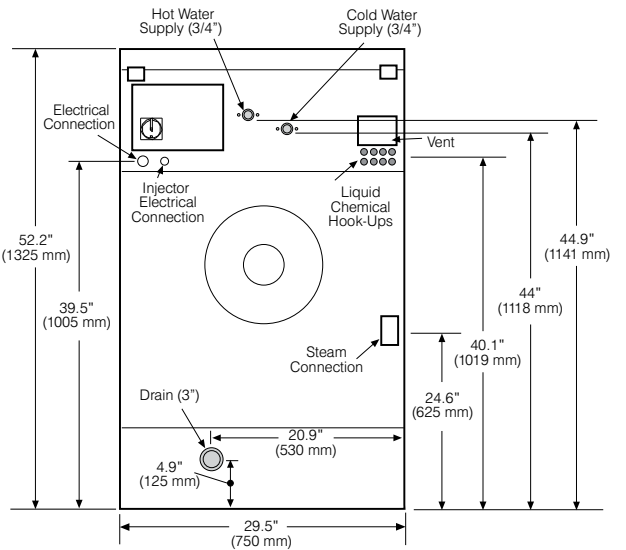
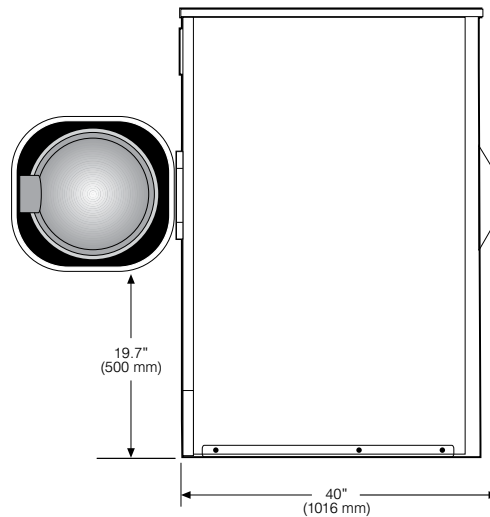
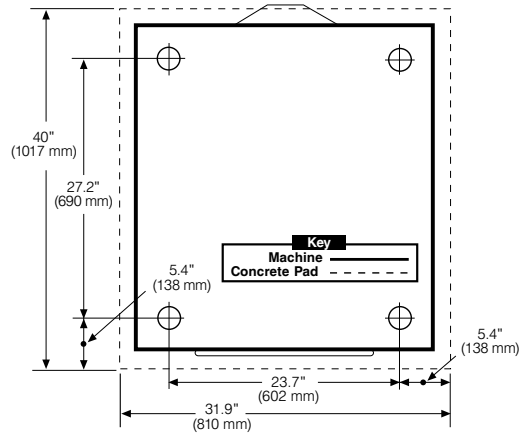
2500 State Road 44 • Oshkosh, WI 54904  
 920.231.8222 • FAX 920.231.4666  
[www.continentalgirbau.com](http://www.continentalgirbau.com)



# EM040

**ON-PREMISE M-SERIES 40-POUND CAPACITY  
 HARD-MOUNT WASHER-EXTRACTOR**

Capacity <i>lbs (kg)</i>	40 (17)
Cylinder Diameter <i>inch (mm)</i>	24.4 (620)
Cylinder Depth <i>inch (mm)</i>	21.6 (549)
Cylinder Volume <i>cu. ft (dm<sup>3</sup>)</i>	5.9 (166)
Net Weight <i>lbs (kg)</i>	622 (282)
Crated Weight <i>lbs (kg)</i>	683 (310)
Machine Width <i>inch (mm)</i>	29.5 (750)
Machine Depth <i>inch (mm)</i>	40 (1016)
Machine Height <i>inch (mm)</i>	52.2 (1325)
Door Opening <i>inch (mm)</i>	12.9 (327)
Floor to Door <i>inch (mm)</i>	19.7 (500)
Shipping Dimensions <i>inch (mm)</i> (WxDxH)	30.6 x 42.4 x 58.8 (777 x 1078 x 1494)
Washing Speed <i>rpm</i>	46.5
Spin Speeds <i>rpm</i>	46.5/100/300/400/500/600
G-force	0.75/3/31/56/87/125
Modified Energy Factor (MEF)*	1.73
Water Consumption Factor (WCF)*	5.33
Static Force Transmitted <i>lbs (kg)</i>	805 (365)
Dynamic Force Transmitted <i>lbs (kg)</i>	1138 (516)
Available Voltages/Wire Conductor/Amp	
Hot Water or Steam	208-240/60/1, 2W + G, 6
Electric Auxiliary Heat (optional)	208/60/1, 2W + G, 45 240/60/1, 2W + G, 60 208/60/3, 3W + G, 40 240/60/3, 3W + G, 50
Drain Diameter <i>inch (mm)</i>	3 (76)
Water Inlets <i>inch (mm)</i>	3/4 (19)
Recommended Water Pressure <i>PSI (bar)</i>	30-60 (2-4)
Water Flow <i>gal/min (l/min)</i>	16 (60)
Steam Connection <i>inch (mm)</i>	1/2 (12.7)
Steam Pressure (optional) <i>PSI (bar)</i>	29-87 (2-6)
Steam Flow (optional) <i>lbs/h (kg/h)</i>	132 (60)
Motor Power <i>kW</i>	0.8
Electric Heating Power (optional) <i>kW</i>	
208/60/1	8.1
240/60/1	10.6
208/60/3	11.9
240/60/3	15.6



\* Modified Energy Factor (MEF) measured in cubic feet per kilowatt-hour per cycle. Water Consumption Factor (WCF) measured in gallons per cycle per cubic feet. MEF and WCF statistics are according to DOE test results report by Intertek, an independent testing laboratory, dated February 29, 2008.  
 \*\* Specifications subject to change without notice or obligation. Call Continental Girbau, Inc for dimensions not shown or for clarification.

