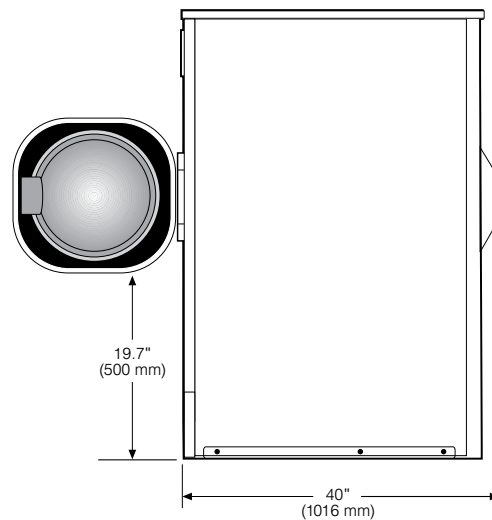
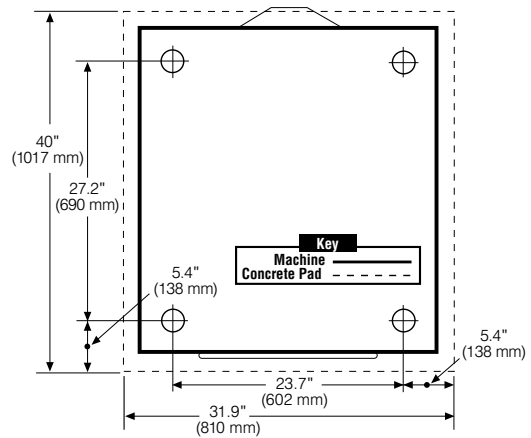


EM040

VENDED M-SERIES 40-POUND CAPACITY
HARD-MOUNT WASHER-EXTRACTOR

Capacity <i>lbs (kg)</i>	40 (17)
Cylinder Diameter <i>inch (mm)</i>	24.4 (620)
Cylinder Depth <i>inch (mm)</i>	21.6 (549)
Cylinder Volume <i>cu ft (dm³)</i>	5.9 (166)
Net Weight <i>lbs (kg)</i>	622 (282)
Crated Weight <i>lbs (kg)</i>	683 (310)
Machine Width <i>inch (mm)</i>	29.5 (750)
Machine Depth <i>inch (mm)</i>	40 (1016)
Machine Height <i>inch (mm)</i>	52.2 (1325)
Door Opening <i>inch (mm)</i>	12.9 (327)
Floor to Door <i>inch (mm)</i>	19.7 (500)
Shipping Dimensions <i>inch (mm)</i> (WxDxH)	30.6 x 42.4 x 58.8 (777 x 1078 x 1494)
Washing Speed <i>rpm</i>	46.5
Spin Speeds <i>rpm</i>	46.5/100/300/400/500/600
G-force	0.75/3/31/56/87/125
Modified Energy Factor (MEF)*	1.73
Water Consumption Factor (WCF)*	5.33
Static Force Transmitted <i>lbs (kg)</i>	805 (365)
Dynamic Force Transmitted <i>lbs (kg)</i>	1138 (516)
Available Voltage	208-240/60/1
Wire Conductor/Amp	2W + G, 6 Amp
Drain Diameter <i>inch (mm)</i>	3 (76)
Water Inlets <i>inch (mm)</i>	3/4 (19)
Recommended Water Pressure <i>PSI (bar)</i>	30-60 (2-4)
Water Flow <i>gal/min (l/min)</i>	16 (60)
Motor Power <i>kW</i>	0.8



* Modified Energy Factor (MEF) measured in cubic feet per kilowatt-hour per cycle. Water Consumption Factor (WCF) measured in gallons per cycle per cubic feet. MEF and WCF statistics are according to DOE test results report by Intertek, an independent testing laboratory, dated February 29, 2008.

** Specifications subject to change without notice or obligation. Call Continental Girbau, Inc for dimensions not shown or for clarification.

